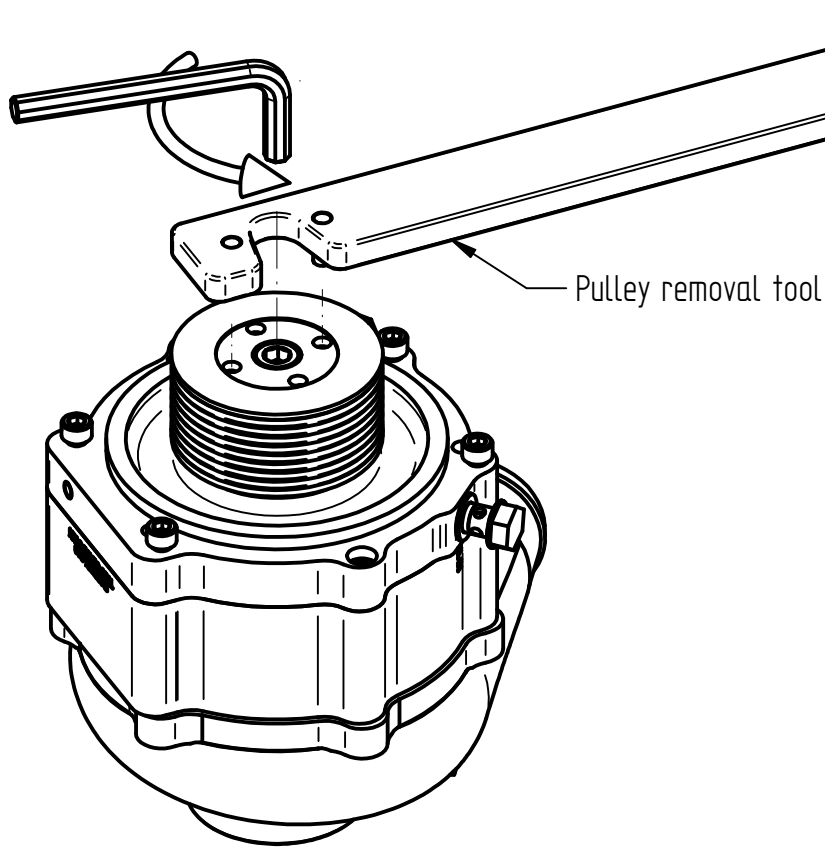
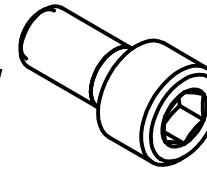


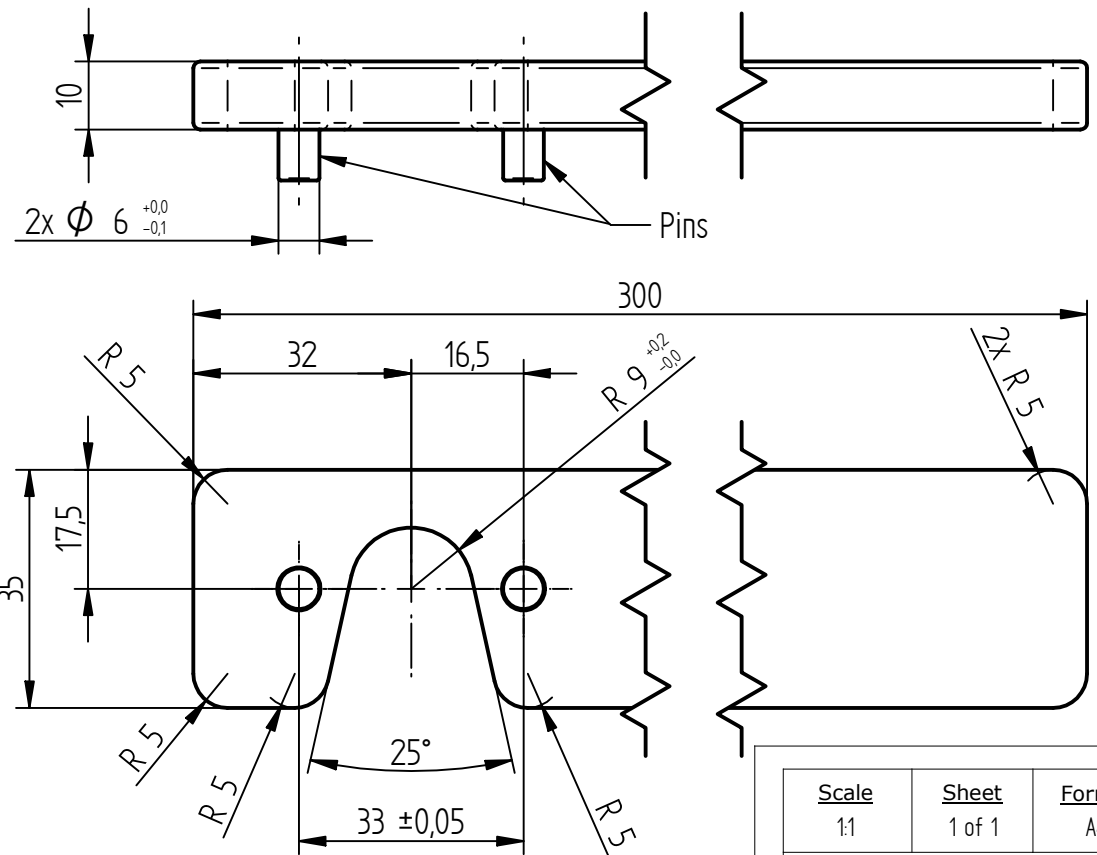
Unmounting Steel pulley with counterbore screw



Pulley removal tool manufacturing

General tolerances +/- 0,5

Pins are mounted in the bar with press fit



Disassembly process

1. Place S/C with pulley up
2. Remove sticker
3. Secure pulley with Pulley Removal Tool
4. Unscrew pulley bolt with 8mm hexagon key

Scale	Sheet	Format
1:1	1 of 1	A4

ROTREX™

Herlev Hovedgade 17
DK-2730 Herlev Denmark
Tel. (+45) 70 80 70 05
Telefax (+45) 70 80 70 06