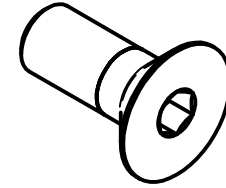
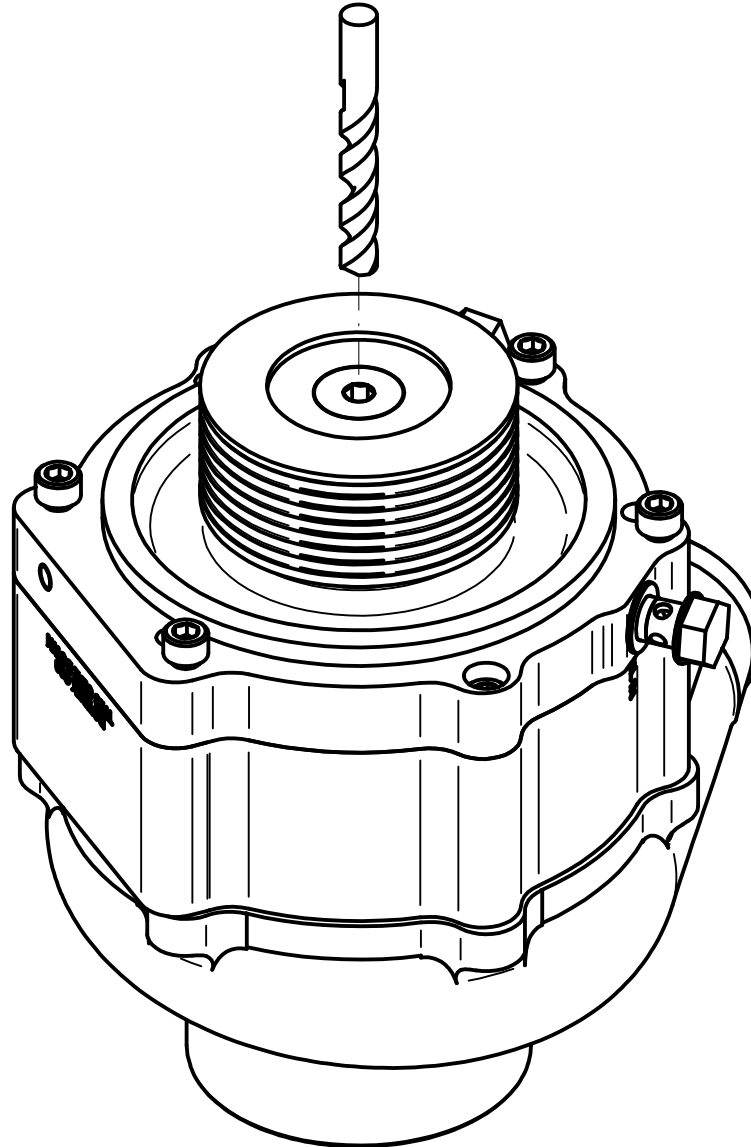


# Unmounting Aluminium pulley with countersunk screw



## Disassembly process

1. Make sure to cover all oil and air holes in S/C
2. Place S/C with pulley up
3. Remove sticker
4. Secure pulley with hand
5. Drill a hole in the top of the screw with a 9,5mm drill, until the head comes off
6. This will not ruin the pulley
7. Replace with new  
DIN 7991 M10x25



<u>Scale</u>	<u>Sheet</u>	<u>Format</u>
1:1	1 of 1	A4
<b>RO TREX™</b>		
<small>Herlev Hovedgade 17 DK-2730 Herlev Denmark</small>		
<small>Tel. (+45) 70 80 70 05 Telefax (+45) 70 80 70 06</small>		